

MEDarchiver IHE Cardiology Workflow

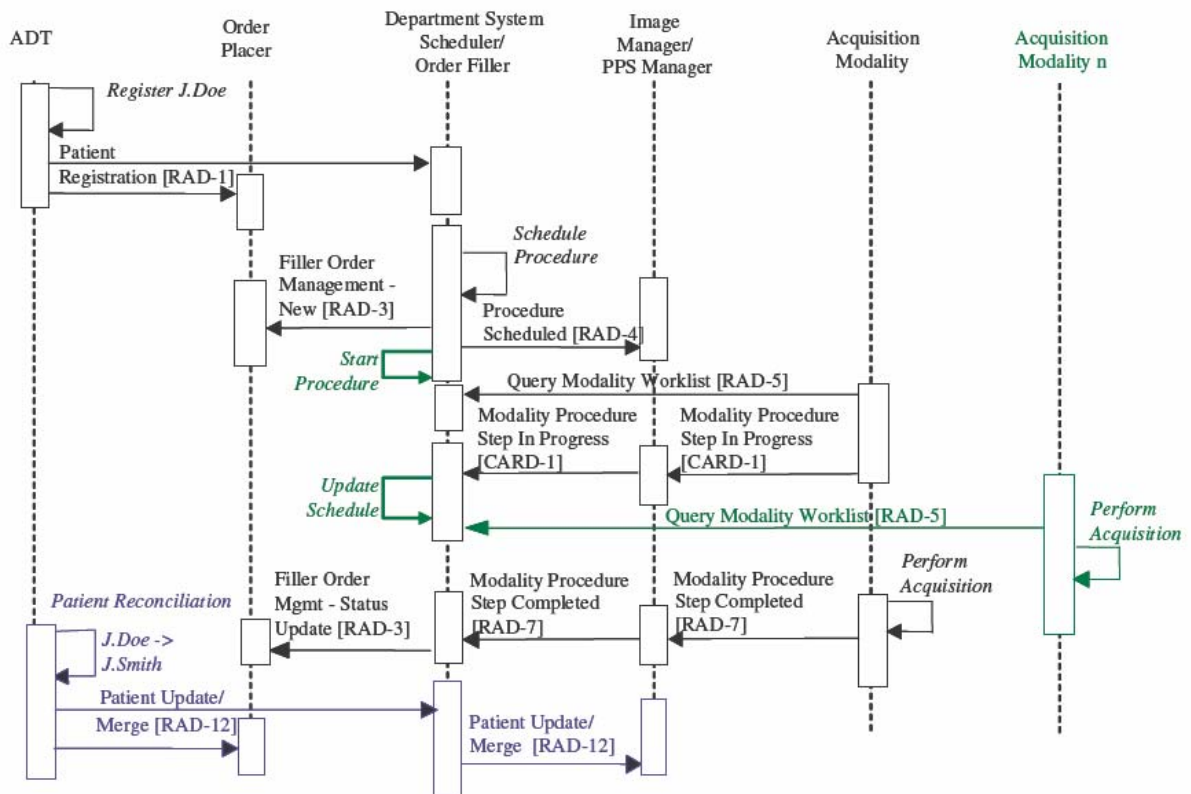


All right reserved © 2007 MEDarchiver Srl

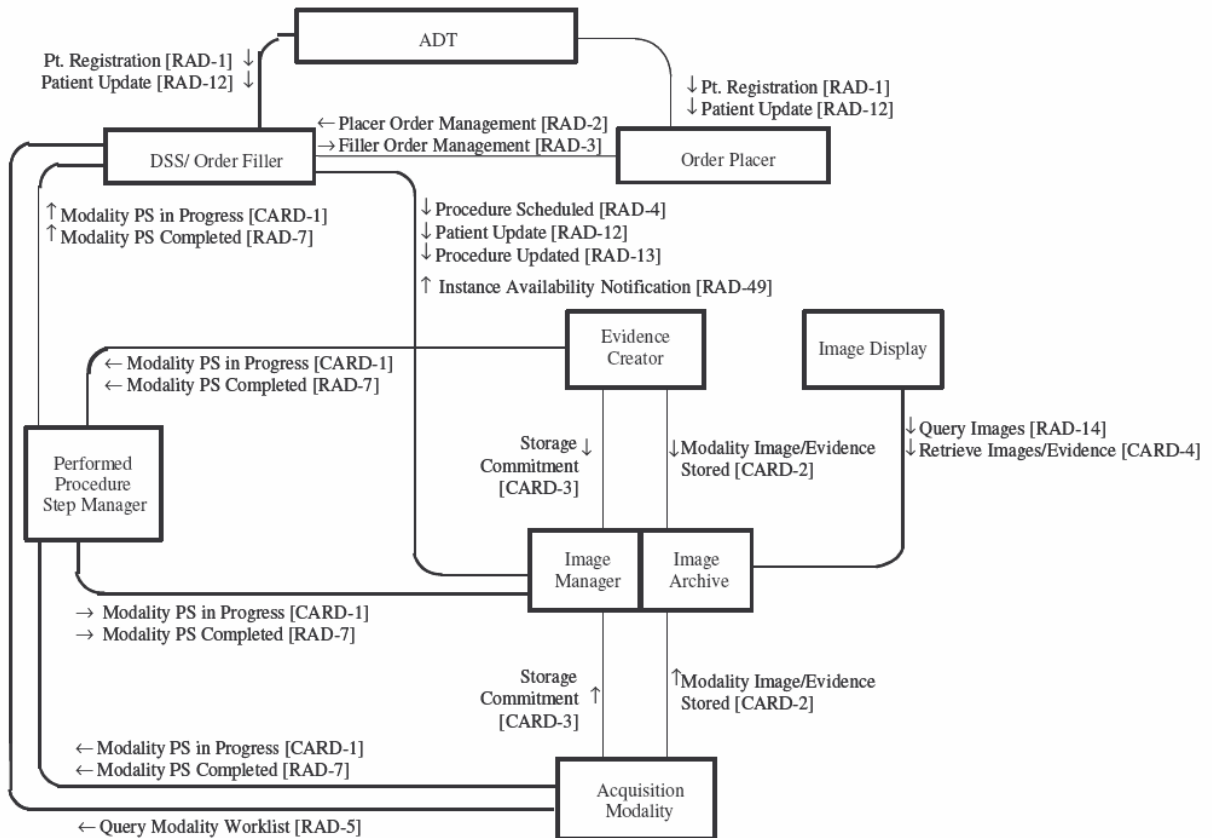
Author	Page 1	Version: Ultimate
Eng. Stefano Zabucchi		

MEDarchiver IHE Cardiology Workflow

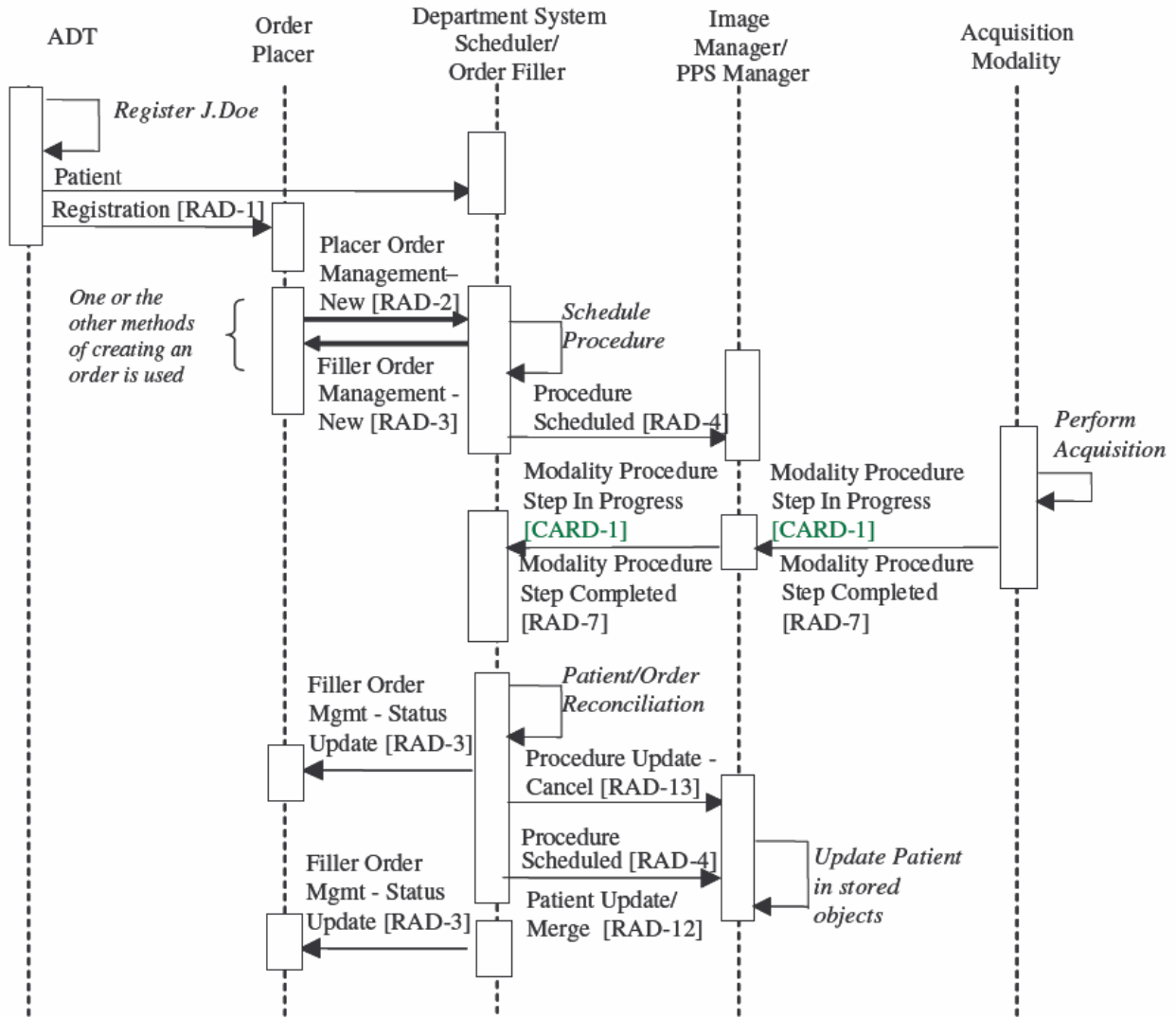
CATH - Patient Registered at ADT and Ordered at DSSOF



CATH - Workflow



ECHO - Intermittently modality



ECHO - Workflow

